

Project Name:	Type:
Part Number:	Date:

## 8" INNOFIT GEN 2 COMMERCIAL DOWNLIGHT

### SPECIFICATION FEATURES

- **Mechanical** - INNOFIT, with integrated driver, retrofits existing commercial housings and is field accessible from below the ceiling. Stainless steel spring action clips accommodate ½" to 2" ceiling thicknesses. Optional New Construction housing available.
- **Electrical** - Field select from three lumen outputs using SelectDrive technology. Universal 120-270V, 50/60Hz driver, dimmable to 5% with low end cutoff.
- **Optical** - Self flanged, spun aluminum reflector with baffle trim for pleasant aesthetic in matte white finish. High resistance polycarbonate optical lens, with smooth diffusion. 110° beam angle. LED binned to 3-step SDCM to ensure color uniformity in 3500K or 4000K CCT, with Minimum 80 CRI.
- **Thermal** - Fixture designed using passive thermal management to achieve a L70 rating of 50,000 hours. Fixture operating temperature: -13°F to 95°F (-25°C to 35°C).
- **Compliance and Warranty** - ETL Classified and Listed for wet locations. Certified air-tight per ASTM 283-04. IC Rated for direct contact with insulation. Complies with FCC 47CFR Part 15B consumer limits for EMI/RFI emissions. 5 year parts warranty for complete fixture. Optional 10 Year Extended Warranty available, subject to same terms, conditions and installation requirements as standard 5 Year Warranty.



062824



### BENEFITS

- Field select lumen output
- Quick and easy installation
- 0-10V dimmable
- Wet Location, IC and Airtight Rated
- Long life time, L70 Rated for 50,000 hours

### APPLICATIONS

- New and retrofit construction
- Shallow plenum applications
- Commercial
- Retail & Office
- Education and Hospitality

### ORDERING INFORMATION

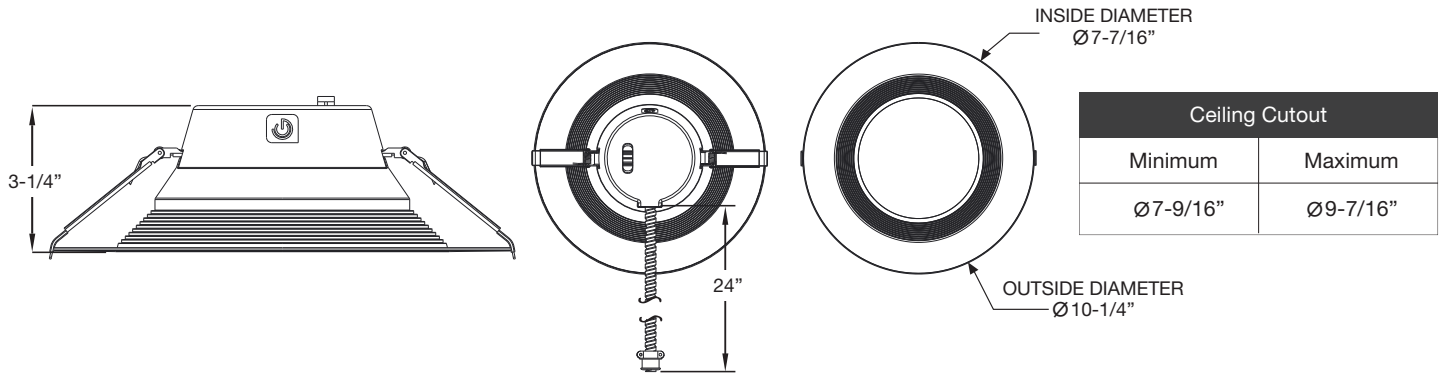
Series	Size	CRI	CCT	Dimming
<input checked="" type="checkbox"/> INFT INNOFIT	<input checked="" type="checkbox"/> 8 8" 1,100 / 1,600 / 2,100 lumens	<input checked="" type="checkbox"/> 8 CRI 80	<input type="checkbox"/> 35 3500K	<input type="checkbox"/> DIM010UNV 120-277V, 0-10V (Dimmable to 5%)
			<input type="checkbox"/> 40 4000K	

Note: Factory setting at highest lumen output.



# 8" INNOFIT GEN 2 COMMERCIAL DOWNLIGHT

## LINE DRAWINGS

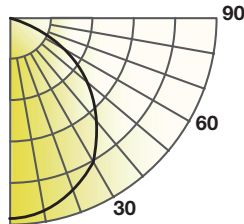


## TECHNICAL INFORMATION

Dimming	Input Voltage	Input Frequency	Input Current (Low / Med / High)	Input Power	THD Power	Power Factor
DIM010VUNV	120V	50 / 60Hz	0.07 / 0.1 / 0.145A	8.5 / 12 / 17W	<20%	>0.9
	277V		0.045 / 0.06 / 0.078A			

## PHOTOMETRY

INFT8/835/DIM010UNV (HIGH OUTPUT)



Lumens: 2,296 lm  
CBCP: 898 cd  
Power: 17.6 W  
Efficacy: 130 lm/W  
CRI: 80+  
Spacing Criteria: 1.22  
Beam Angle: 106.5°

Candlepower Distribution	
Angle (°)	Average (cd)
0	989
5	893
15	851
25	788
35	689
45	571
55	434
65	270
75	109
85	7
90	0


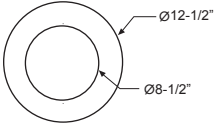

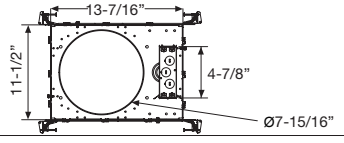

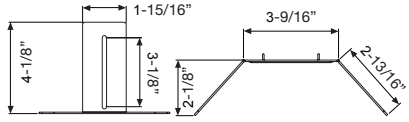

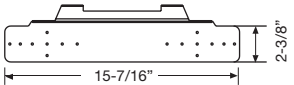

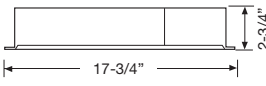

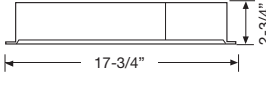

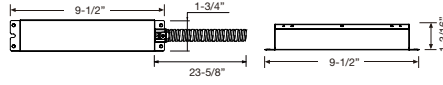

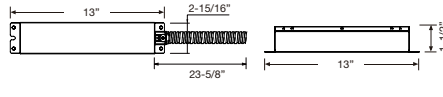
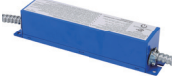
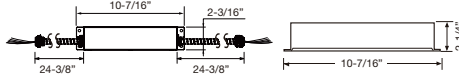

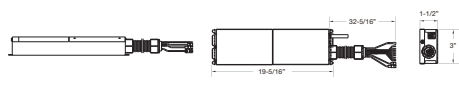
Initial Footcandles		
Height (ft)	Fc	Diameter (ft)
8	23	21.4
9	18	24.1
10	15	26.8
12	10	32.1
15	7	40.2

Zonal Lumen Summary		
Zone	Lumens	%Fixture
0-30	686	30%
0-40	1,112	48%
0-60	1,922	84%
0-90	2,296	100%

## PERFORMANCE

CCT	3500K			4000K		
	Low	Med	High	Low	Med	High
Lumens	1,045	1,475	2,090	1,060	1,500	2,125
LPW	123	123	123	125	125	125

# 8" INNOFIT GEN 2 COMMERCIAL DOWNLIGHT

ACCESSORY ORDERING INFORMATION				
Product	Model	Description	Pictures	Dimensions
98567	GOOFRING8	8" Goof Ring - Outer Diameter 12-1/2"		
35123	NCFJB8	8" Round New Construction Rough-in Frame with Jbox		
35126	NCFBFB	Field Installable Butterfly Brackets For New Construction Rough-in Frame		
35125	NCFEMB	Field Installable Emergency Bracket For New Construction Rough-in Frame		
58012	35EMINVERTER	35W Emergency Inverter (Field Installation)		
58013	35EMINVERTER/CEC	California Title 20 Compliant 35W Emergency Inverter (Field Installation)		
37934	8EMINVERTER	California Title 20 Compliant 8W Emergency LED Inverter (Field Installation)		
37935	21EMINVERTER	California Title 20 Compliant 21W Emergency LED Inverter (Field Installation)		
98003	23EMDRIVER	California Title 20 Compliant 23W Emergency LED Driver (Field Installation)		
FHUPS1-UNV-25L-SD	FHUPS1-UNV-25L-SD	25W Emergency Micro Inverter for field installation to use with 0-10V Driver options. 100-277VAC (up to 150W with use of 0-10V dimming). CEC Compliant.		

Note: For details of compatibility between each emergency solution and specific product models, please refer to the Products Emergency Compatibility Matrix file available on <https://greencreative.com/emergency-accessories/>



## 8" INNOFIT GEN 2 COMMERCIAL DOWNLIGHT

### ORDERING GUIDE

Product	Model
35073	INFT8/835/DIM010UNV
35074	INFT8/840/DIM010UNV

### 10 YEAR EXTENDED WARRANTY

Model	INFT8/10YEARWARRANTY
-------	----------------------

Note: All rights reserved. All sizes and specifications are subject to change at any time without notice.